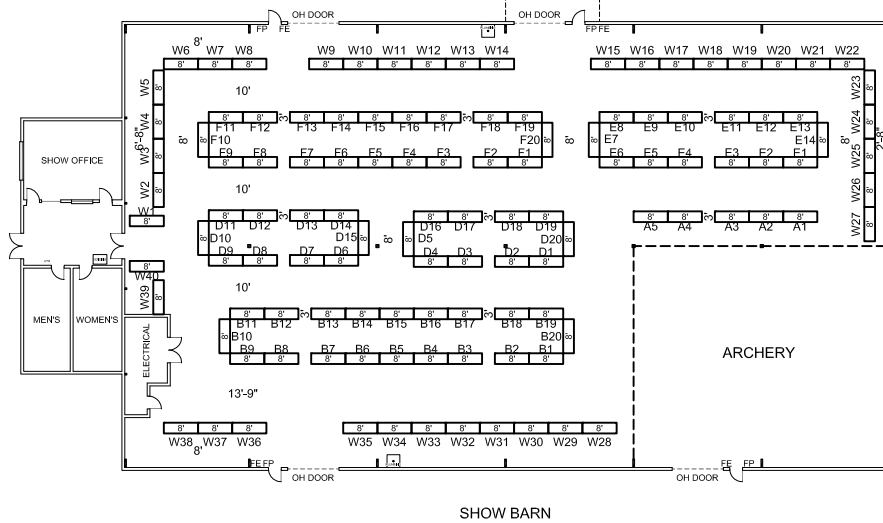
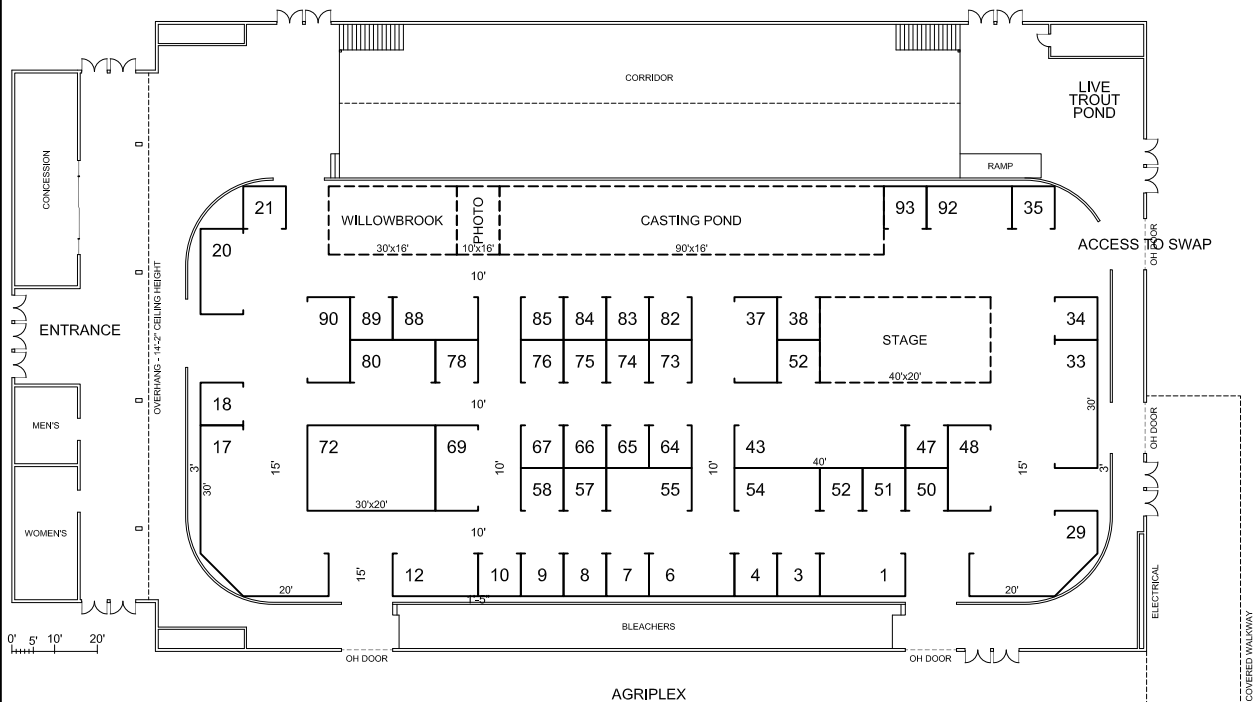


BC ROD & GUN SHOW

APRIL 15 - 17, 2016

CLOVERDALE RODEO & FAIR GROUNDS
 AGRIPLEX
 CLOVERDALE, BC

33 - 10' x 10' BOOTHS
 13 - 10' x 20' BOOTHS
 119 - 8' TABLES



(12' MINIMUM HEIGHTS - OH DOORS & TRUSS)

DISCLAIMER: EVERY EFFORT HAS BEEN MADE TO ENSURE THE ACCURACY OF ALL INFORMATION CONTAINED ON THIS FLOOR PLAN, HOWEVER, NO WARRANTIES, EITHER EXPRESSED OR IMPLIED ARE MADE WITH RESPECT TO THIS FLOOR PLAN. IT IS THE SOLE RESPONSIBILITY OF THE EXHIBITOR TO VERIFY ALL DIMENSIONS AND LOCATIONS. THIS INCLUDES THE LOCATIONS OF BUILDING COLUMNS, UTILITIES OR OTHER ARCHITECTURAL COMPONENTS OF THE FACILITY IF THEY ARE TO BE CONSIDERED IN THE CONSTRUCTION OR USAGE OF AN EXHIBIT.

Tel: 604 277 1726 Fax: 604 277 1736

